



RETRACTABLE SECURITY GRILLES

CITADEL



-   
-  **Commercial**
-  **Retail**
-  **Counter & Cabinet**
-  **Domestic**

CITADEL PLUS



POLICE PREFERRED SPECIFICATION



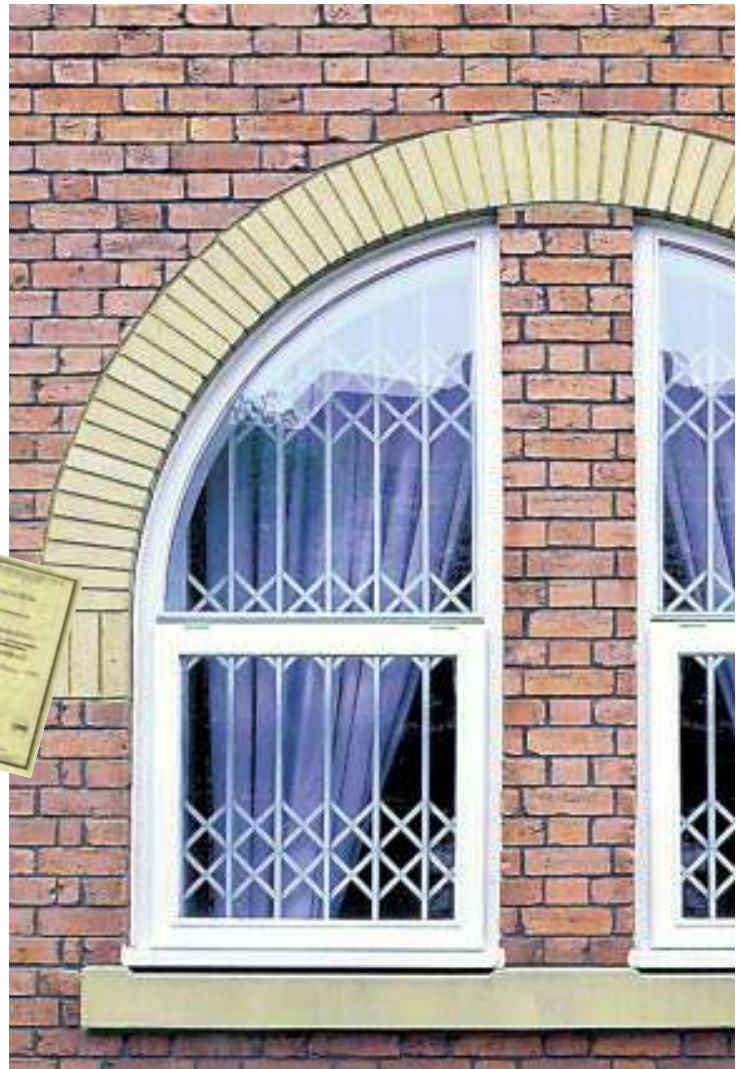
'X' Lattice 'S' Lattice

INSURANCE APPROVED

The Citadel Plus Retractable Security Grille offers an outstanding the lattice style design. The Citadel Plus SWS is the only Insurance Approved design. Approval has been gained as a result of independent testing to Loss Prevention Standard (LPS) 1175 Security Rating Classification 1. The remainder of this section covers the background to what this approval and rating means in practical terms.

EVALUATION AND SELECTION

How can you know which products are truly resistant to physical attack? You need to be sure that a device does not contain a design flaw that will allow rapid access to the appearance may suggest security, but can you be sure that an ingenious burglar? Specifiers, end-users, the police and insurers are increasingly demanding physical security products that carry an independent stamp of compliance and quality assurance. The Loss Prevention Certification Board (LPCB), the UK's leading independent certification body for fire and security products, operates an approval scheme to LPS 1175. Approval and certification is based on the testing of a product's performance and the manufacturer's quality management systems being in accordance with ISO 9002. Installation procedures are also defined to a high standard, ensuring the product performance is not compromised by sub-standard installation. These specialist products should only be attached to structurally sound openings such as masonry, brick, steel or timber, moreover the type and frequency of fixings required is very precise. LPS 1175 is a rigorous and demanding benchmark for gauging actual resistance to physical attack. Citadel Plus's performance to a determined attack, construction and consistent performance to an internationally recognised standard. Take the guesswork out of product selection - use tested and approved products from SWS.



Citadel Plus Security Grilles - excellent security with vision, fixed here behind a window arch.

THE POLICE PREFERRED SPECIFICATION

As a further reinforcement of the products performance, the Citadel Plus's retractable security grille has successfully undergone Secured by Design evaluation and is able to display the "Police Preferred Specification" mark. Secured by Design identifies technical standards and evaluations which test the competence of security products and their resistance to physical attack. Evaluations are carried out in houses.



POLICE PREFERRED SPECIFICATION



Citadel Plus undergoing a simulated attack test

CITADEL PLUS

The Citadel retractable security grille system combines a classic appearance with effective protection, ideal for home or workplace. The high security Citadel Plus has added structural strength from a specially designed lattice assembly system using high patented grade steel inter-screws. The system can be fitted to the face or reveal of a window or door aperture and can be specified in a single or double-sash configuration. Where a clear, safe walk through is required Citadel's bottom track can, as an optional extra, be made to fold up.

FOR RESIDENTIAL PREMISES

In high risk areas or simply for added peace of mind, the Citadel Plus is an excellent choice for home protection. With added structural strength combined with many of the features of the Citadel, the Citadel Plus offers stylish, unobtrusive security alongside potential insurance premium benefits.





Vision and light levels are excellent - now you see it



...now you don't



Standard 'X' Lattice



'S' Lattice Option



Folding Bottom Track Option



Effective protection for business

FOR RETAIL PREMISES

The added security and strength of the insurance approved Citadel Plus offers effective protection of high value stock in window and store displays. Combining many of the features of the Citadel Plus with increased structural strength and, in most cases, 4 point locking, the Citadel Plus has optional folding bottom tracks to allow unrestricted access through doorways when the grilles are open and compact sashes which fold neatly to the side giving unobscured visibility of window displays.

FOR BUSINESS PREMISES

Businesses in vulnerable locations or premises containing valuable equipment are often targeted by criminals. Either on an insurance company's recommendation, or to pre-empt future attack, the insurance approved Citadel Plus is the perfect choice. Offering enhanced strength and security with minimal obstruction to visibility and natural light even when the grilles are in the closed position, premises and staff are protected with no detriment to the appearance of the office environment.

Citadel Plus

HIGH PERFORMANCE SECURITY, NO SACRIFICE IN APPEARANCE

- | Strong - Made from galvanised steel with a patented fixing system
 - | Versatile - Custom built for almost any opening, grilles fit internally in either the window reveal or around the opening in either single or double-sash
 - | Easy to use - Smooth top running operation with an option of a folding bottom track to leave doorways unobstructed
 - | Security - Available in most cases, with three point on smaller grilles) operating from a single key which is out of view of potential attackers whilst remaining easy to operate from either side
 - | High quality maintenance free finish - Supplied in high quality white powder coated finish as standard. Optional colours are available from stock
 - | A floating sash version is available
 - | A fixed frame version is available when retraction of the grille is not required
- When extra security and strength is needed, Citadel Plus is the insurance approved option. Stylish, yet deceptively strong, unobtrusive, essentially maintenance free and easy to use, the Citadel Plus offers LPCB certified and approved protection.

Citadel Retractable Security

CITADEL

AN EFFECTIVE BARRIER AND DETERRENT TO CRIME

The Citadel Retractable Security Grille system is a stylish solution for protecting windows and doors. The Citadel Plus, the standard design, offers security needs. The Citadel Plus is a visible deterrent to would be intruders who, should they persist, will meet with an effective barrier to entry. When not in use, Citadel is unobtrusive and compact. The sashes fold neatly to the side, out of sight behind curtains or vertical blinds, with the option of fold away. Reliable, quick and easy to use, maintenance free with multi point locking to leave openings unrestricted. and galvanised for corrosion resistance, the Citadel offers effective yet flexible security.



thincbS



Quick and easy operation. Bunching to the side, the grilles are concealed behind the curtains when open



Excellent light levels when closed

MATCHING STYLE WITH STRENGTH

RESIDENTIAL PREMISES

Elegant good looks with a heart of steel - the Citadel Retractable Security Grille System combines a classic appearance with strength, making it an ideal security choice for the home. Designed to keep intruders out while letting maximum light in, they are perfect for patio doors, French windows and any other vulnerable ground floor doors or windows. Grilles can be left locked with doors open to provide ventilation without loss of security. When not in use these retractable grilles are surprisingly unobtrusive. Fitted to the door or window surround, they can disappear neatly behind curtains and a pelmet can be used to conceal the top track from the opening and sashes may be hinged to swing to the side at 90° up to 270°. Small opening French windows or doors can also be transformed into a completely clear opening (hinge aside option requires a folding bottom track). and can also be supplied with optional decorative 'S' Profile lattices.



VISIBLE DETERRENT, VISIBLE STOCK

FOR RETAIL PREMISES

Installed inside a shop window, Citadel retractable grilles deliver an exceptionally strong yet aesthetically appealing barrier against intruders, which allows merchandise to be displayed safely, 24 hours a day. Products fitted at the rear of a window display, retractable grilles also effectively create an attractive backdrop whilst protecting the shop's interior. The window display view. Citadel retractable grilles are safe, easy to handle, smooth, and remain totally unimpaired whilst the grille is accessible for easy operation. quiet to operate. They hang from a top track with a guide track at the base which, as an optional extra, can be supplied to quickly fold up when not required, leaving shop entrances free from obstruction, and aid being fully retractable, when not required, each sash can be folded neatly in the open position away from the door or window openings. Optionally, grilles may be hinged to swing away from the opening at 90° or up to 270° to provide a completely clear opening (hinge aside option requires a folding bottom track).

'S' Lattice design



Perfect for protecting vulnerable patio doors



Slide the sash aside for an uninterrupted view



Standard 'X' Lattice



'S' Lattice Option



Optional Folding Bottom Track



The hinge aside option ensures a totally clear view (The hinge aside option requires a folding bottom track)



Excellent product visibility

Protecting valuable stock

SECURE YET UNOBTRUSIVE

FOR COMMERCIAL PREMISES

Allowing maximum natural light into commercial premises, retractable grilles fold to the sides of the window reveal when not required and can be concealed neatly behind vertical blinds to create a secure but pleasant working environment. Office premises, staff and equipment are safely protected by an strong security barrier, manufactured from pre-galvanised rolled steel with offering security features which are particularly important on vulnerable ground floor windows and doors, the Citadel ensures excellent barrier security. Whilst the top hung ultra-smooth carrier system and nylon Citadel is essentially maintenance free and available in a broad range of optional powder coated colours to complement corporate styling.

CITADEL

CLEAR BENEFITS

Essentially maintenance free with a wide range of colour options and a choice of lattice styles, classic appearance and convenience combine with the high levels of security barrier and deterrent protection

- | Galvanised for corrosion resistance and powder coated
- | Fully retractable system
- | Excellent through-vision and ventilation when locked
- | Multi-point locking (2 point) from a single key
- | Smooth running carrier system ensures quick and easy operation
- | Custom built for almost any opening
- | An unlimited width can be accommodated in sections
- | A floating sash version is available
- | A fixed frame version is available when retraction of the grille is not required

Essentially strong, yet unobtrusive and stylish, the Citadel will transform the way you protect your property.

Specification

CITADEL PLUS

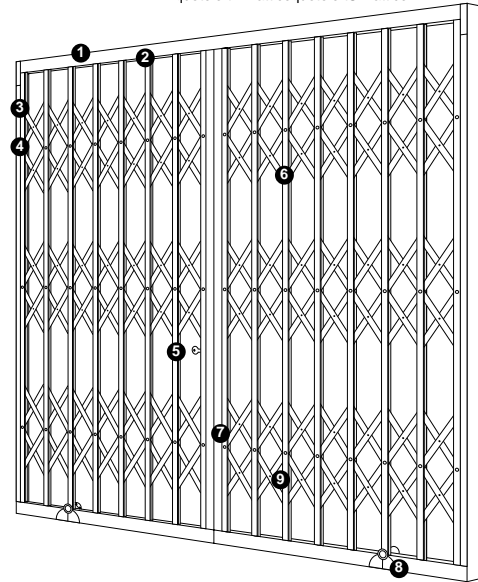
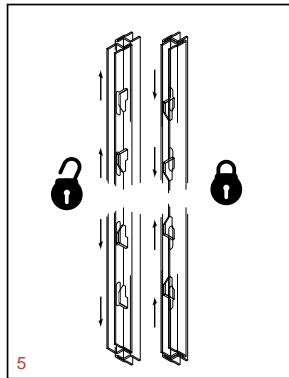
Insurance Approved Specification



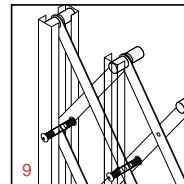
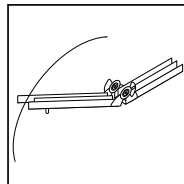
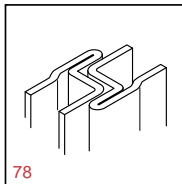
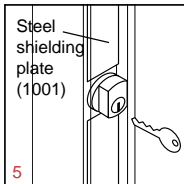
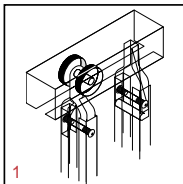
quoteleftX' LatticequoteleftS' Lattice

GENERAL ARRANGEMENT

- 1 Top hung on nylon coated steel bearings
- 2 All galvanised steel construction
- 3 Powder coating in a range of colours
- 4 Fits within or around the reveal
- 5 4 point locking from a single key with the lock mechanism situated in a smooth plate finish
- 6 Overlapped locking profiles
- 7 Optional folding bottom track
- 8 The Citadel Plus has a specially designed lattice assembly system utilising high grade steel screws (patented).



,167\$!/\$7,21 &5,7(5,\$	
<p>The validity of the LPCB certification is contingent upon each security grille being installed in accordance with the requirements of LPS 1175.</p>	<p>Reveal or face installation Min fixing distance from edge of reveal 50mm Max fixing distance from any corner 100mm Max distance between fixing 400mm All fixing heads spoiled: ymosaM "5.2 s21 dooW s21 x "0.4 x leetS s8M x "0.1</p>



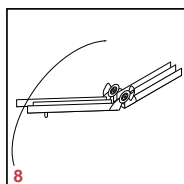
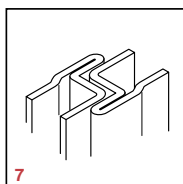
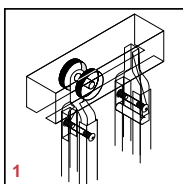
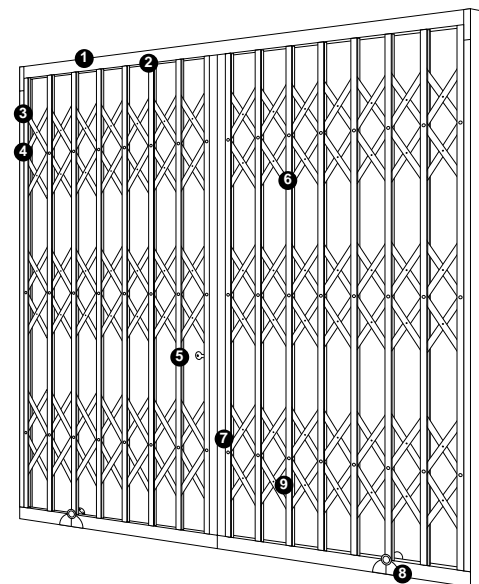
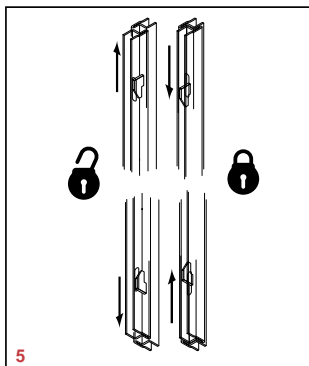
Note - All approved grilles carry a label detailing the manufacturer, test standard and rating.

CITADEL PLUS

Specification

GENERAL ARRANGEMENT

- 1 Top hung on nylon coated steel bearings
- 2 All galvanised steel construction
- 3 Powder coating in a range of colours
- 4 Fits within or around the reveal
- 5 Multi-point locking from single key - 2 point
- 6 Strong steel lattice with smooth durable finish
- 7 Overlapped locking profiles
- 8 Optional folding bottom track
- 9 Steel riveted lattice assembly system.



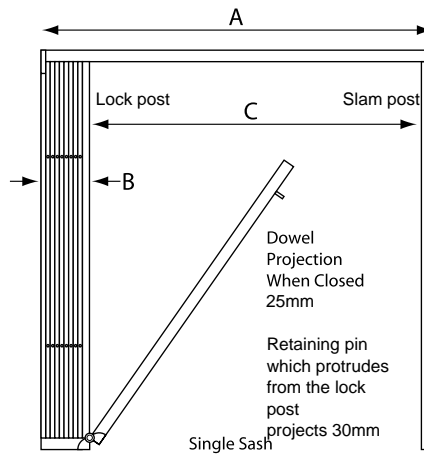
STACK SIZES (MM)

OVERALL GRILLE WIDTH 'A'	SINGLE SASH SINGLE SASH STACK 'B'	CLEAR OPENING WIDTH 'C'	DOUBLE SASH DOUBLE SASH PER STACK 'D'	CLEAR OPENING WIDTH 'E'
mm	mm	mm	mm	mm
500	135	315		
600	135	415		
700	150	500		
800	165	585		
900	180	670		
1000	180	770	135	730
1100	195	855	135	830
1200	210	940	150	900
1300	225	1025	150	1000
1400	225	1125	150	1100
1500	240	1210	165	1170
1600	255	1295	165	1270
1700	270	1380	180	1340
1800	285	1465	180	1440
1900	285	1565	180	1540
2000	300	1650	195	1610
2100	315	1735	195	1710
2200	330	1820	195	1810
2300	330	1920	210	1880
2400	345	2005	210	1980
2500	360	2090	225	2050
2600	375	2175	225	2150
2700	375	2275	225	2250
2800	390	2360	240	2320
2900	405	2445	240	2420
3000	420	2530	255	2490
3100	435	2615	255	2590
3200	435	2715	255	2690
3300	450	2800	270	2760
3400	465	2885	270	2860
3500	480	2970	270	2960
3600	480	3070	285	3030
3700	495	3155	285	3130
3800	510	3240	300	3200
3900	525	3325	300	3300
4000	525	3425	300	3400
4100	540	3510	315	3470
4200	555	3595	315	3570
4300	570	3680	330	3640
4400	585	3765	330	3740
4500	585	3865	330	3840
4600	600	3950	345	3910
4700	615	4035	345	4010
4800	630	4120	345	4110
4900	630	4220	360	4180
5000	645	4305	360	4280
5100	660	4390	375	4350
5200	675	4475	375	4450
5300	675	4575	375	4550
5400	690	4660	390	4620
5500	705	4745	390	4720
5600	720	4830	405	4790
5700	735	4915	405	4890
5800	735	5015	405	4990
5900	750	5100	420	5060
6000	765	5185	420	5160

Please note: The clear opening widths detailed above apply to retractable grilles with fixed tracks. If the grille requires folding bottom tracks or the hinge aside option

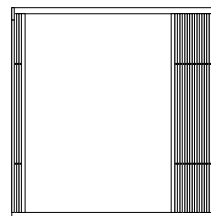
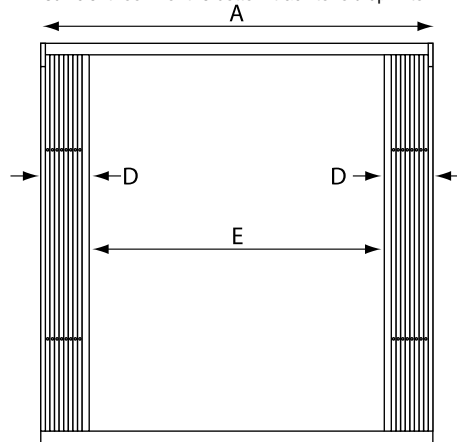
*Please ask about folding bottom tracks, you will need to add 60mm per stack to the stack sizes above.

SECURITY GRILLES STACK SIZES



Note: All clear opening sizes for single sash grilles allow for the slam post. For hinge aside grilles the stack size is increased by a further 30mm per sash

Note: Folding tracks with a length of 600mm or more are supplied with a retaining pin as standard. This is located between 488mm and 568mm from the ground regardless of track length. If the width of the grille projects 60mm beyond the lock post then the track is lowered and 30mm when raised. sufficient room for the bottom track to fold up into.



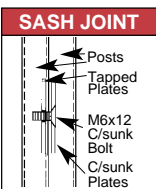
Uneven Sashes On double sash grilles, the sashes can be split with the majority opening to one side, useful where there is a preference or a limited space at one side of the aperture to accommodate the retracted sash.

SIZES

Citadel Plus		
Sizing	Single Sash	Double Sash
Min Width	1000	1000
Min Height	500	1000
Max Width	1000	1000
Max	3000	6000
Height	3000	3000

Citadel		
Sizing	Single Sash	Double Sash
Min Width	500	700
Min Height	350	500
Max Width	500	*6000
Max	*3000	3500
Height	3500	

WEIGHT
19kgm²



LOCK HOOKS	
Grille Height Range (mm)	Number of lock hooks
1000+	available
1000-500	2 (4 optional)
500-350	2

Fixed Panel

*NOTE: Citadel can accommodate an unlimited width with multiple sashes. Sashes are made in single pieces up to 2m wide. Larger sizes are made in sections for assembly on site, ensuring the weight of each section can be handled safely. Grilles which are wider than 4m will be supplied with the top track in two pieces, the split will be in the middle. Where two split sashes meet two posts are joined together using bolts and fixing plates supplied loose (see illustration above).

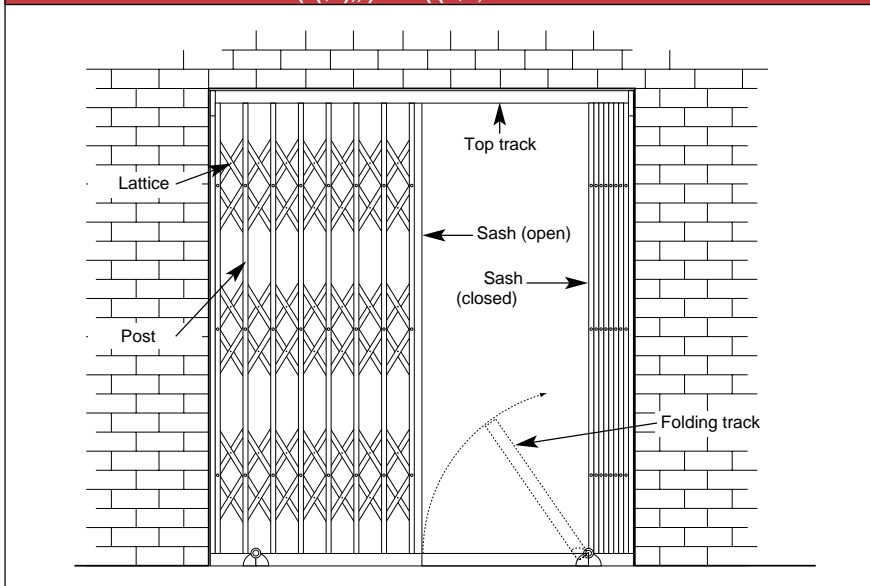
Specification

7(50,12/2* <

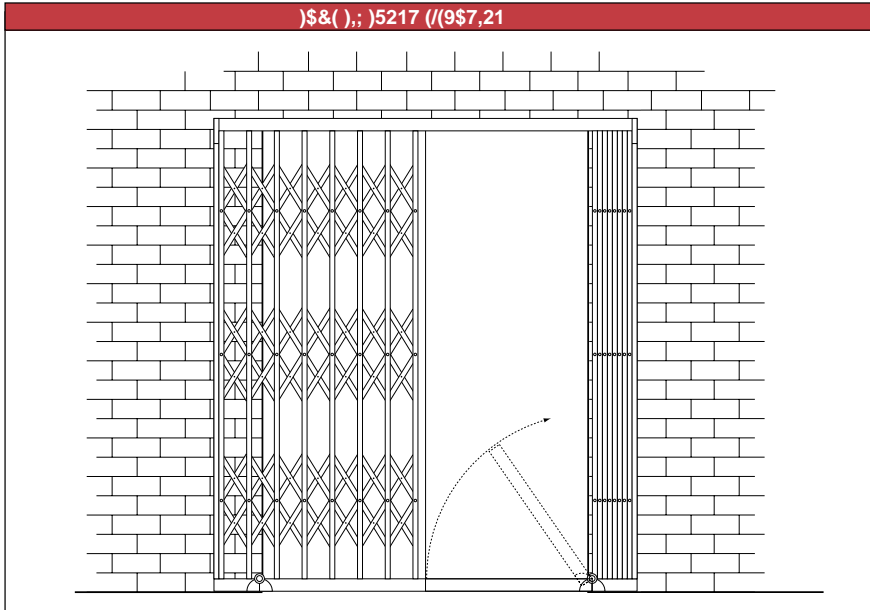
The following lists the preferred terminology applied to JUBEFM grilles (in Bold) and alternatives which are also in common use:

- 6\$6+ – Bunch / Stack / Hand
- 723 75\$&. – Top runner / Top Rail / Top Guide
-)2/,1* 75\$&. – Lift up / Hinge (should not be used -can be confused with the hinge aside option)
- 5(029\$%/(75\$&. – Lift Out / Lift Off
- +1*(\$6,(' – Hinging Sash / Swinging Sash / Fold Back
- & 6,(),;1*)5\$0(– C-Side / Reinforcing for Top Track / Strengthening for Top Track
- 5(9(\$/);(' – Between Walls / Recess
-)\$&();(' – Surface Mounted / Plant On
- %, 3\$57,1* – Double / Double Draw / Split
- .((' \$/,(– Suited / Same
- 3,&(7 – Upright

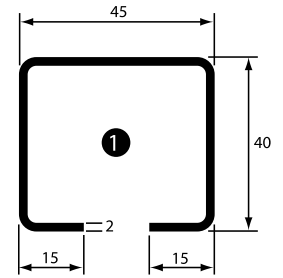
5(9(\$/);;)5217 ((9\$7,21



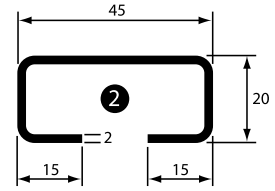
)\$&();;)5217 ((9\$7,21



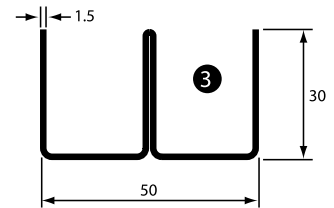
75\$&. 352),/(6



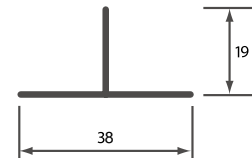
Top Track



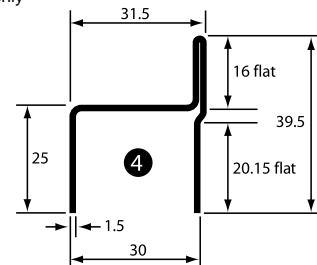
Fixing Frame



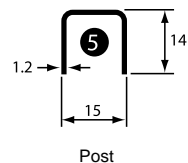
Bottom quoteleftW' Track



Low profile Bottom quoteleftT' Track
Low security option \$iUBEFM 1MVT only

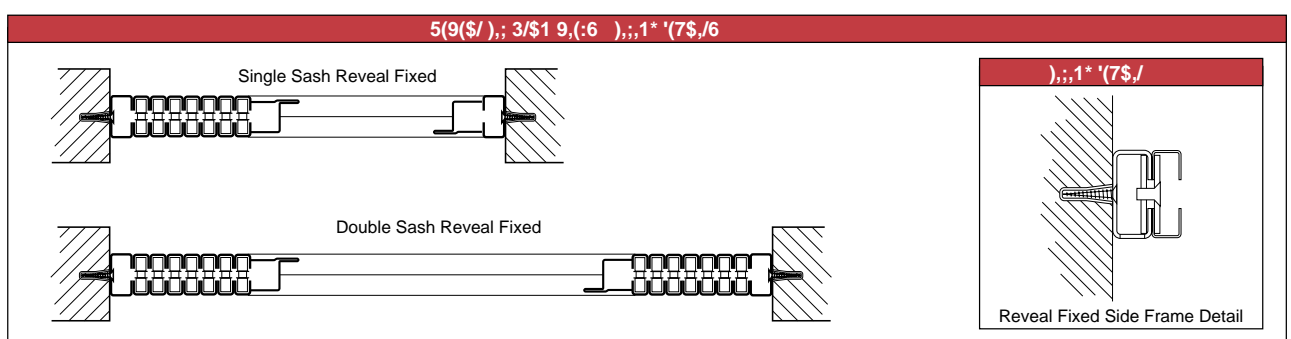
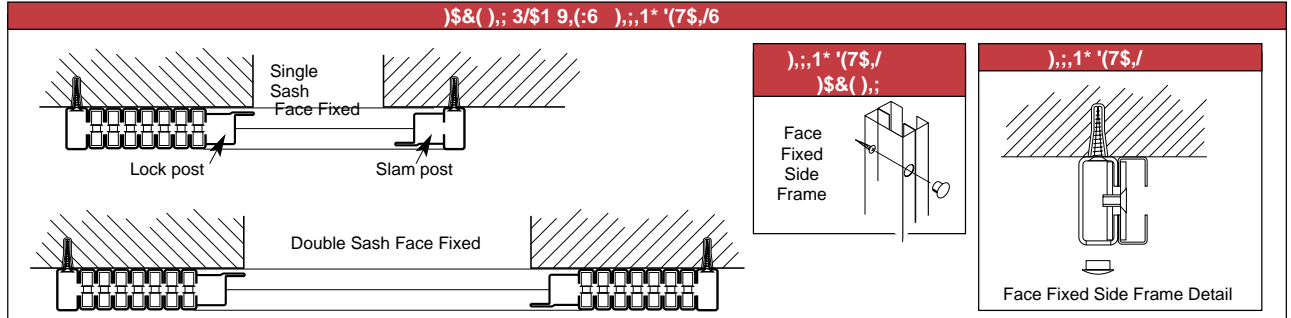
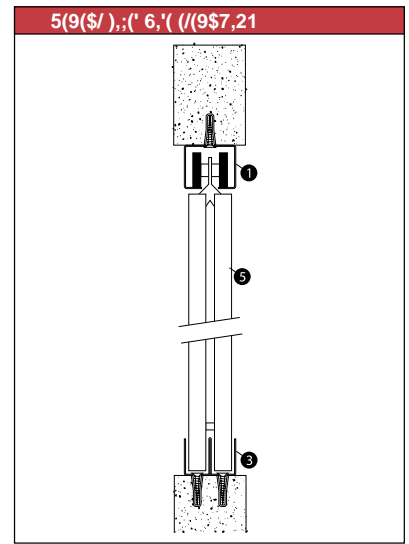
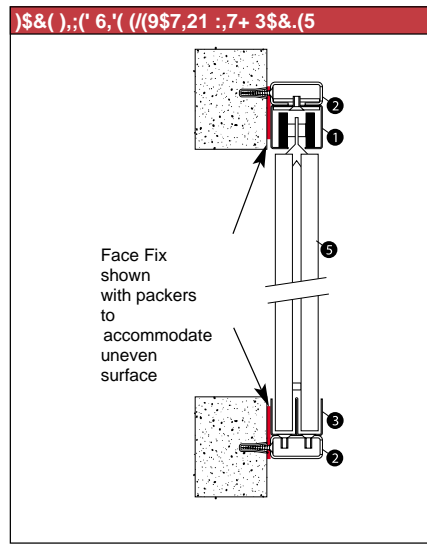
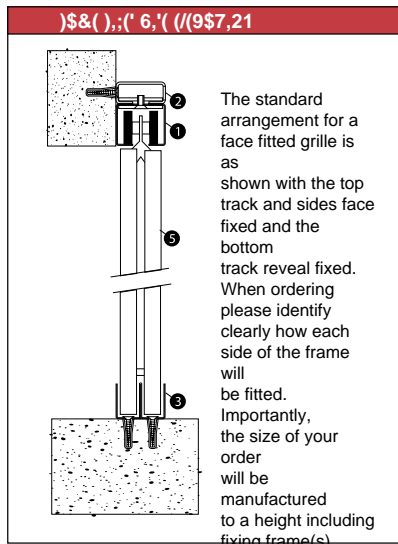


Lock Post



Post





LATTICE DESIGNS
High grade steel construction in quoteleftX' lattice and quoteleftS' lattice as an option.

LATTICE INCREMENTS

GRILLE HEIGHT	NUMBER OF LATTICES
0 - 999	1
1000 - 1599	2
1600 - 2099	3
2100 - 2699	4
2700 - 3500	5

Lattice Increments with the options for lock position denoted by the key symbol

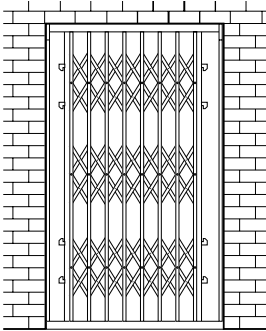
POST QUANTITY CHANGEOVER

Single Sash		Double Sash	
GRILLE STACK WIDTH	QUANTITY	GRILLE STACK WIDTH	QUANTITY
5005	10005	5005	10005
5606	11606	5606	11606
6907	14207	6907	14207
8208	16808	8208	16808
9509	19409	9509	19409
108010	220010	108010	220010
121011	246011	121011	246011
134012	272012	134012	272012
147013	298013	147013	298013
160014	324014	160014	324014
173015	350015	173015	350015
186016	376016	186016	376016
199017	402017	199017	402017
212018	428018	212018	428018
225019	454019	225019	454019
238020	480020	238020	480020
251021	506021	251021	506021
264022	532022	264022	532022
277023	558023	277023	558023
290024	584024	290024	584024

Specification

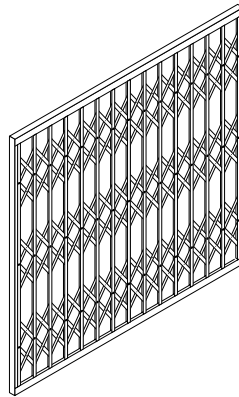


1/2\$7,1* 6\$6+ 237,21



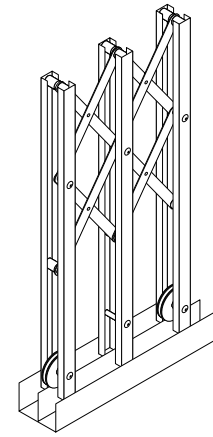
Both the Citadel & Citadel Plus can be supplied as a floating sash. With locking to both sides of the assembly, the grilles are able to stack to either side of the opening. The design facilitates easy cleaning of windows and can improve flexibility of access.

),,(6\$6+ 237,21



Both the Citadel & Citadel Plus can be supplied as a fixed sash when retraction is not a requirement. This is often used as an alternative to fixed bars.

%27720 5\$11,1* 237,21



The Citadel can be supplied as a bottom running version for applications where suitable fixing points are not available at the top of the installation or for very heavy grilles.

67\$1'\$5' &2/285 237,216

Please note: the colours illustrated on this page are intended as a guide only. Reference should be made to an appropriate RAL or BS chart prior to ordering. Other RAL or BS colours are available, please ask for details.

We offer the following colours in Satin unless otherwise stated:

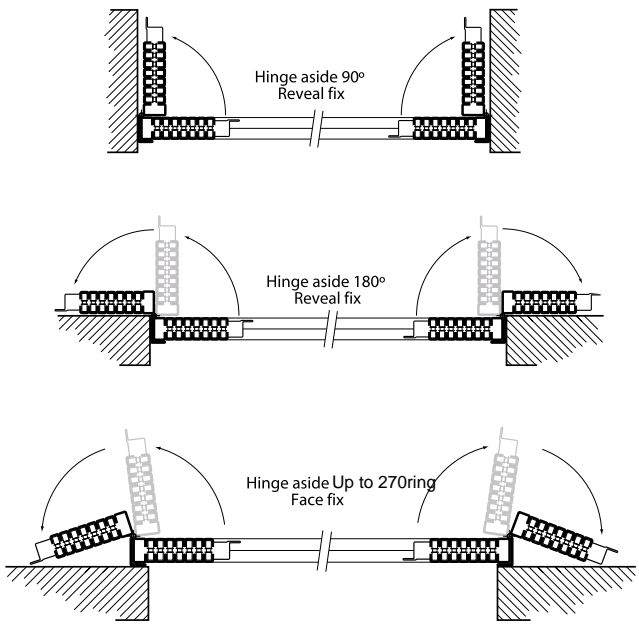
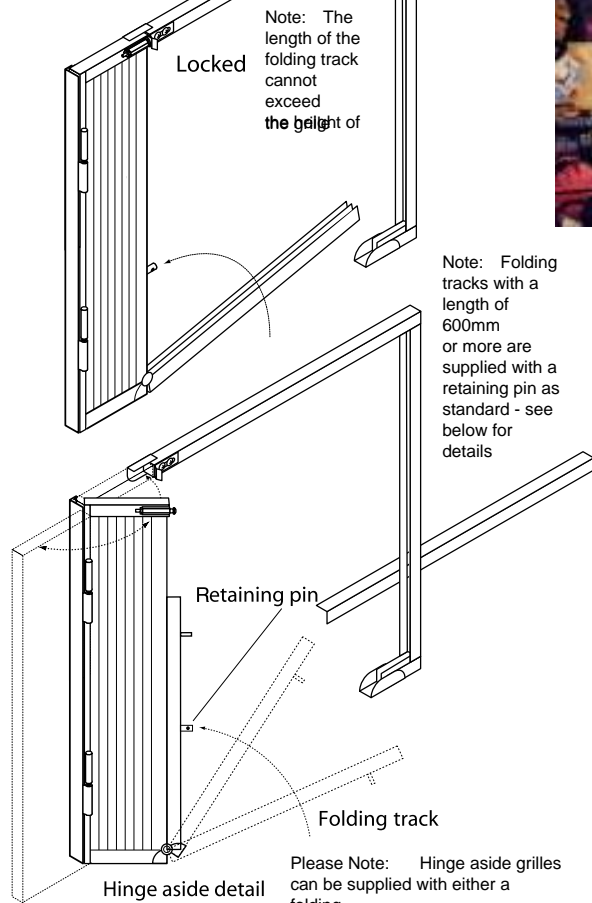
NON STANDARD POWDER COATING COLOURS

If you require assistance identifying or selecting a colour which does not appear on our list of stock colours we can supply you with a RAL or BS colour chart.

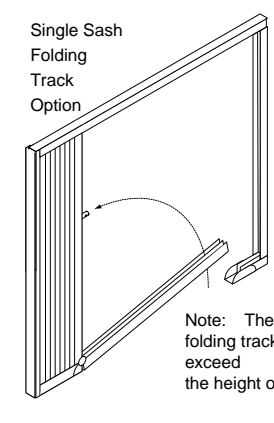


Maximum size for hinge aside
 1800mm x 2400mm (w x h) single
 sash
 3600mm x 2400mm (w x h) double
 sash

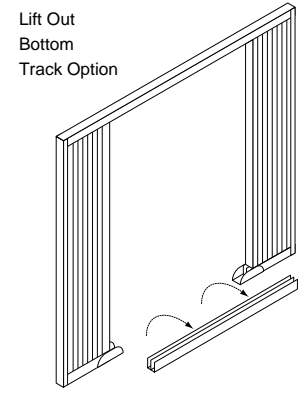
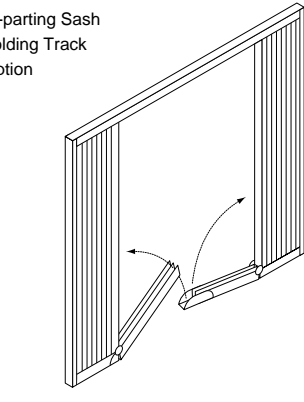
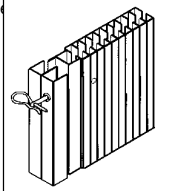
Please Note: \$JUBEFM 1MVT is available with the hinge aside
 option, bottom running option, split top or bottom track or split



Hinge aside detail
 Please Note: Hinge aside grilles can be supplied with either a folding or lift out bottom track but cannot be supplied with a fixed bottom track



Note: Folding tracks with a length of 600mm or more are supplied with a retaining pin as standard. This is located between 488mm and 568mm from the ground regardless of track length. The retaining pin projects 60mm beyond the lock post.





Simply Shutters limited is an established family run business specialising in decorative and fully operational exterior shutter products as well as high quality door and window security for the home & business.

The Simply Shutters Citadel range of security products offers a choice of security options to meet the needs of home owners and demands of commercial premises alike.

All insurance approved & rated Citadel security products have been tested to pass the required standards set by the Loss Prevention Certification Board so you can be sure that the products will meet all of your security expectations.

Established in 2000, Simply Shutters specialises in window treatments and has grown its reputation nationwide by offering quality products and exceptional levels of service throughout the UK. In short, we strive to look after our clients in the same way that we would like to be looked after ourselves.

Working in partnership with the manufacturers of the Citadel range of security products, Simply Shutters Limited is able to offer nationwide coverage for pre-order surveys as well as a fitting service for those clients who prefer for us to take the responsibility of measuring and installing in one easy go.

Why not call us today to discuss your requirements with our friendly team and find out for yourself how easy it is to protect your home from the unexpected.

Contact Details:

Telephone: 01842 814260

Email: sales@simplyshutters.co.uk

Website: <https://www.simplyshutters.co.uk>

